

"innovation in its most functional form"

## PRODUCT DATA SHEET

# FA9TE

## HYDRAULIC FIXED FLANGE AND ROTATIONAL ALIGNMENT TOOL

ALIGNING FORCE:  
10,000 psi (700 bar) = 9 T (90 kN)

TOOL WEIGHT = 14.5 kg (32 lbs)

### KIT COMPONENTS

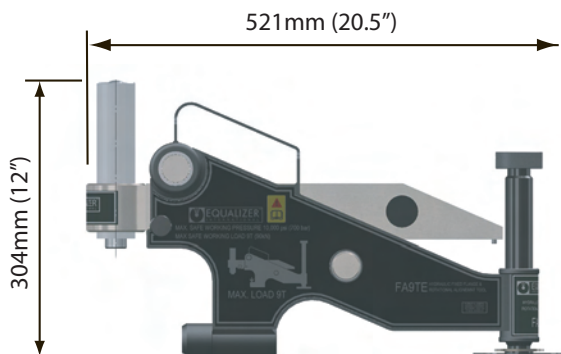
- 1 x FA9TE Tool
  - 1 x 10,000 psi (700 bar) Hydraulic Hose, 2m (78")
  - 1 x 10,000 psi (700 bar) Hydraulic Cylinder
  - 1 x 10,000 psi (700 bar) HP350S Sealed Hand Pump with Gauge
  - 1 x Ratchet Strap
  - 1 x Instruction Manual
  - 1 x Carry-Case
- Product Code: FA9TESTD



### WEIGHTS AND DIMENSIONS

Tool Weight	= 14.5 kg (32 lbs)
Case Weight	= 6.5 kg (14.3 lbs)
Gross Weight	= 26.5 kg (58.5 lbs)

Carry-Case Dimensions:  
920 x 520 x 210mm (36.2" x 20.5" x 8.3")



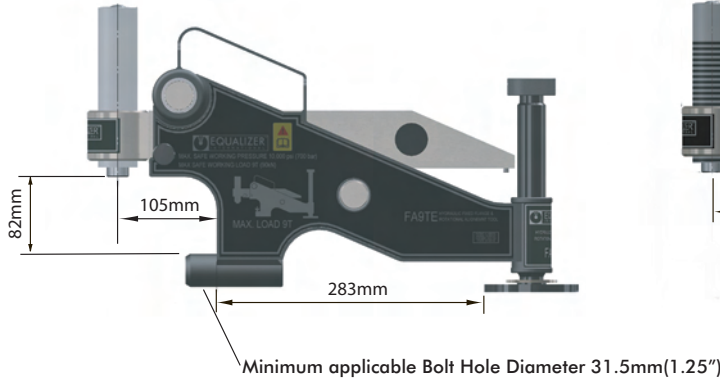
# FA9TE

HYDRAULIC FIXED FLANGE AND  
ROTATIONAL ALIGNMENT TOOL

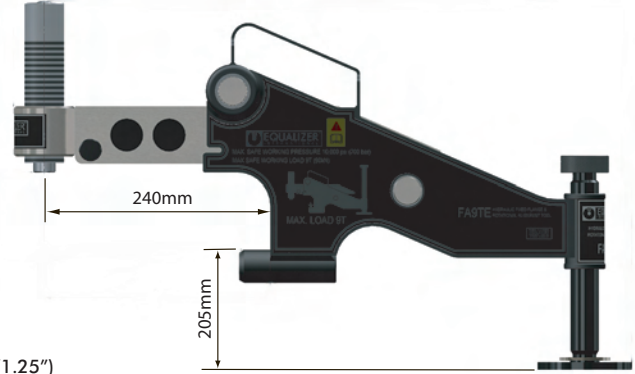


"innovation in its most functional form"

Minimum Extension



Maximum Extension



## RANGE OF APPLICATION

### ASME Weld neck

Class	150	300	400	600	900	1500	2500
Range	32" - 48"	28" - 48"	26" - 48"	22" - 48"	16" - 30"	10" - 20"	5" - 12"

### DIN Weld neck

Class	PN100	PN160
Range	10" - 14"	8" - 12"

### SPO compact Weld neck

Class	300	600	900	1500	2500	5000	7500	10000	15000
Range	34" - 48"	26" - 48"	22" - 48"	14" - 44"	12" - 24"	12" - 24"	10" - 22"	10" - 22"	6" - 16"

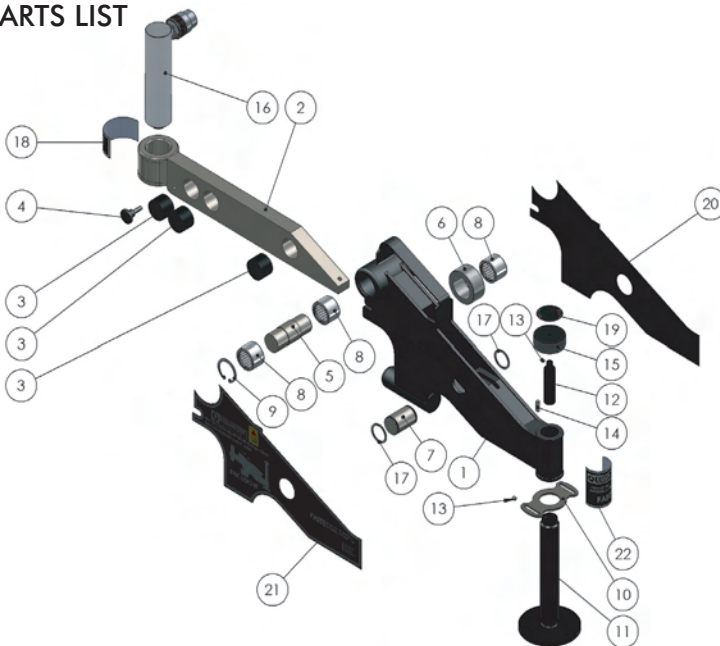
### BS10 Weld neck

Class	D	E	F	J	K	R	S	T
Range	54" - 120"	42" - 48"	39" - 48"	17" - 24"	13" - 20"	12" - 20"	8" - 16"	7" - 14"

### API 6B&6BX Weld Neck

Class	2000	3000	5000	10000	15000	20000
Range	11"	5 1/8" - 11"	4 1/16" - 11"	7 1/16" - 16 3/4"	4 1/16" - 7 1/16"	2 9/16" - 4 1/16"

## PARTS LIST



Item	Part	Description	Qty
01	230100-01	Main Body	01 ea
02	230200-01	Wing Arm	01 ea
03	230202-01	Plastic Insert	03 ea
04	230203-01	M6 Release Knob	03 ea
05	230300-01	Front Roller Pin	01 ea
06	230400-01	Rear Roller	01 ea
07	230500-01	Rear Roller Pin	01 ea
08	230600-01	Needle Bearing	03 ea
09	230700-01	Circlip O/D 40	01 ea
10	230802-01	Buckle	01 ea
11	220600-01	Leg Screw	01 ea
12	220700-01	Leg Screw Ext.	01 ea
13	300401-01	M5x6 Set Screw	01 ea
14	641201-01	Dowel Pin 6x18	01 ea
15	713001-01	Release Valve	01 ea
16	903101-01	6T H. Cylinder	01 ea
17	901601-01	Spirol Clip	02 ea
18	070233-01	Logo For Wing	01 ea
19	070273-01	Drop L. Knob Sticker	01 ea
20	070276-01	Body Plate Sticker L.	01 ea
21	070277-01	Body Plate Sticker R.	01 ea
22	070278-01	Eq. Logo For Boss	01 ea
23	400270-01	Ratchet	01 ea
24	400280-01	Ratchet Strap	01 ea